



CE 2460



# ACARE

*A care you could trust*

◆ *Medical Gas Products* ◆ *Sleeping Therapy* ◆ *SPO2 Diagnostic Equipment*

## **Acare Technology Co., Ltd.**

Acare Technology is an ISO13485 & GMP certified company with a reliable quality control system, located in Taiwan. Each unit of our products has been conducted the strictest quality inspection before shipment.

Providing the most reliable respiratory equipment for you is our main priority .

### **Our products include:**

- Pulse Oximeter
- SPO2 Probe Sensor
- Oxygen Regulator
- Demand Valve Resuscitation Set
- Medical Flowmeter
- Suction Trolley System
- Suction Regulator
- Medical Gas Outlet
- Medical Gas Adapters
- Bed Head Unit
- CPAP Device
- CPAP Mask
- Portable Suction Unit
- Respiratory Accessories

# CPAP Full-Face Mask



**Full-face Type Model:**  
 RAP-401 (Small)  
 RAP-402 (Medium)  
 RAP-403 (Large)



## Comfort

Multi-layered cushion technology helps to deliver tubing pressure even when body moves, and provide good attachment to human face.

## Complementing Materials

Silicone mask body is autoclavable up to 135 degrees C.

Polycarbonate frame keeps the structure rigid and durable.

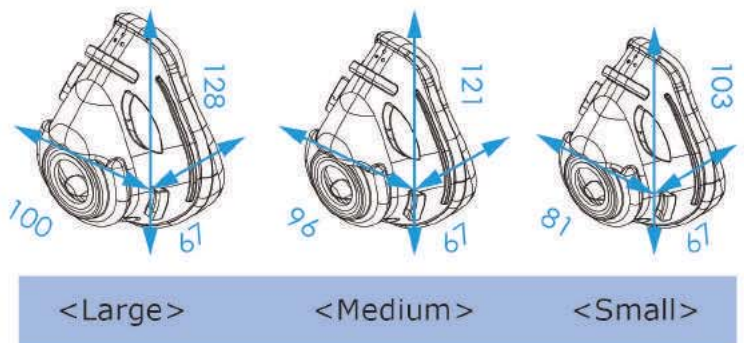
## Functionality

Detachable AAV (Anti-Asphyxia) valve for BPAP use.

Tiny blowholes for quiet and smooth air flow.

Quick release buckles for daily wearing.

Simple assembly for easy parts' cleaning and replacement.

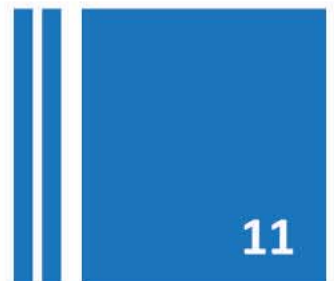


# NIV Full-Face Mask

- No-vent design
- The connector inner diameter 22mm
- Application for ventilator patient



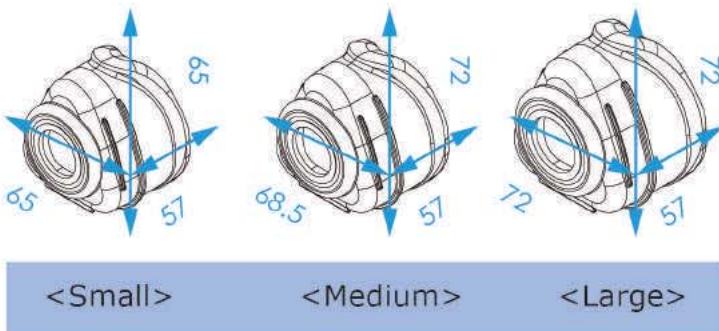
**NIV**  
**Full-face Type Model:**  
 RAP-421 (Small)  
 RAP-422 (Medium)  
 RAP-423 (Large)



# CPAP Nasal Mask



**Nasal Type Model:**  
 RAP-301 (Small)  
 RAP-302 (Medium)  
 RAP-303 (Large)



- The silicone mask attaches firmly to the human face to avoid air leakage.
- One port design for convenient O2 supply and CO2 measurement.
- Low noise level and good compatibility.
- The tube connection is flexible to adjust to the body movement.
- Quick release headband with buckles.
- The nasal mask has the forehead pad for better adjustment.
- The connector on this CPAP mask can turn 360°.

Airstream blowholes  
 Reduce the flow noise for  
 quieter use.

Ladder-shaped forehead  
 cushion  
 Provides comfort and  
 flexibility in order to fit  
 different foreheads.





[www.acaretech.com](http://www.acaretech.com)



Browsing site by scanning QR Code

# ACARE

**Acare Technology Co., Ltd.**

5F.-4, No.24, Wuquan 2nd Rd.,  
Xinzhuang Dist., New Taipei City  
242 Taiwan

Tel: +886-2-2298-8170

Fax: +886-2-2298-8560

Email: [info@acarecorp.com](mailto:info@acarecorp.com)

[www.acaretech.com](http://www.acaretech.com)